

1654 - Half-Wave HV Rectifier



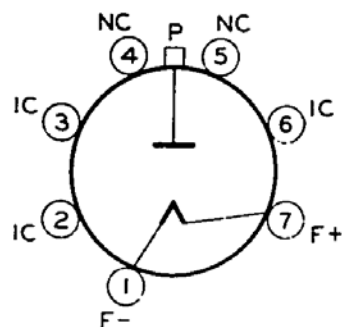
Miniature half-wave vacuum rectifier, intended for high voltage supply circuits in battery operated image converters using [1P25](#), as 'Sniperscope' and 'Snooperscope'.

Miniature 7-pin base, plate connection at the tip.

1.4 V at 50 mA filamentary cathode.

1500 V typical, 4300 V peak at 1 mA DC output.

Registered to RCA in September 1945, RMA record [441](#).



PIN 1: FILAMENT (-)
PIN 2: INTERNAL CONNECTION—DO NOT USE
PIN 3: INTERNAL CONNECTION—DO NOT USE
PIN 4: NO CONNECTION
PIN 5: NO CONNECTION
PIN 6: INTERNAL CONNECTION—DO NOT USE
PIN 7: FILAMENT (+)
BULB TERMINAL: PLATE